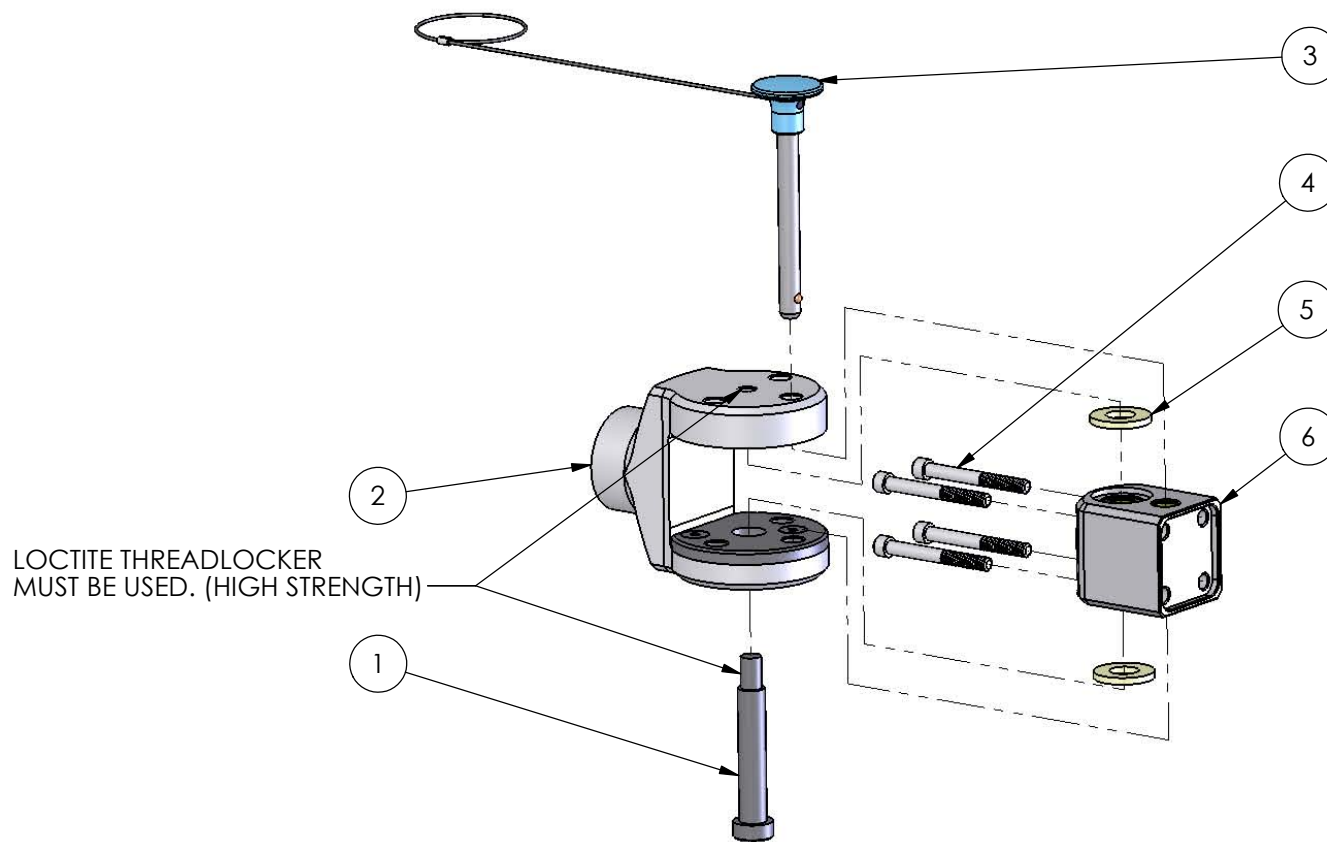


| ITEM NO. | PART NUMBER | DESCRIPTION | Roswell & Cobalt/QTY. |
|----------|---|-----------------------------|-----------------------|
| 1 | .5 X 2.5 SHOULDER BOLT | STAINLESS STEEL | 1 |
| 2 | RWA-220606-G3-REV-G0-(MANUAL LOCK FEMALE SWIVEL ASSEMBLY 2) | 6061 T6 ALUMINUM - POLISHED | 1 |
| 3 | RWA-210906-G1-REV-G0-(Quick release pin assembly) | SEE SUB ASSEMBLY | 1 |
| 4 | SCH_~250-20 UNC_2~25_SIMP | STAINLESS STEEL | 4 |
| 5 | SUP-0041-REV-E1-(NYLON WASHER) | NYLON | 2 |
| 6 | RWA-220606-G6-REV-G0-(MANUAL LOCK MALE SWIVEL ASSEMBLY 2) | 6061 T6 ALUMINUM - POLISHED | 1 |



REVISION NOTES:

PROPRIETARY AND CONFIDENTIAL
THE INFORMATION CONTAINED IN THIS DRAWING IS THE SOLE PROPERTY OF ROSWELL WAKE AIR. ANY REPRODUCTION IN PART OR AS A WHOLE WITHOUT THE WRITTEN PERMISSION OF ROSWELL WAKE AIR IS PROHIBITED.

DRAWN BY: G.CANT
Process: SEE INDIVIDUAL PART DRAWING

MATERIAL: SEE INDIVIDUAL PART DRAWING
FINISH: SEE INDIVIDUAL PART DRAWING
DO NOT SCALE DRAWING

UNLESS OTHERWISE SPECIFIED:

DIMENSIONS ARE IN INCHES
TOLERANCES:
DECIMAL: x. ± 0.06
 x.x ± 0.03
 x.xx ± 0.015
 x.xxx ± 0.005
FRACTIONAL: xx x/x ± 1/16"
 x x/x ± 1/32"
 x/x ± 1/64"
ANGULAR: ±0.5°

ROSWELL

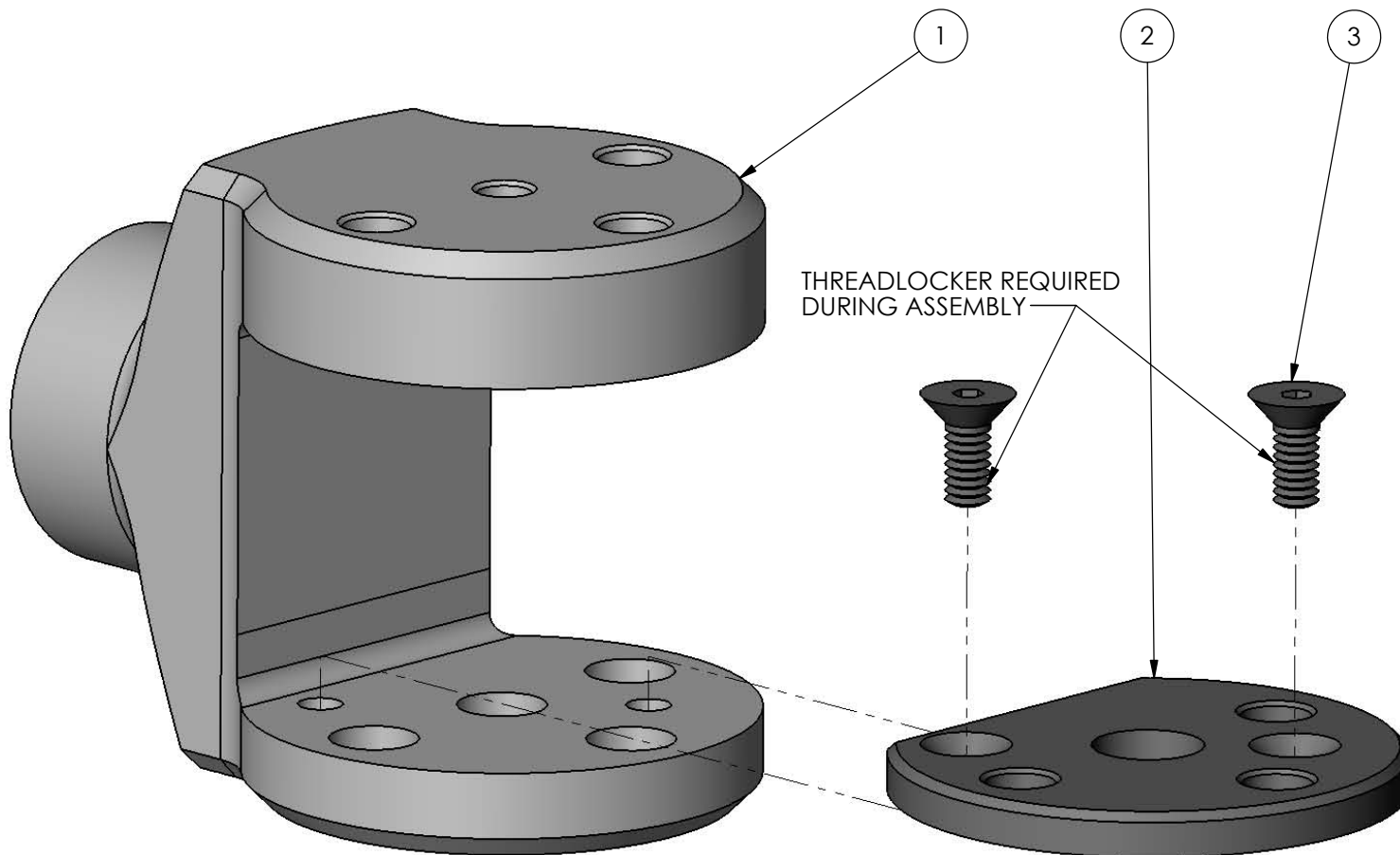
RWA-220606-G9-REV-G2-(2006 MANUAL SWIVEL SYSTEM ASSEMBLY 2 - RWA & COB)

BRAND-DATE-DESIGNER-REVISION-(Description)

SCALE: 1:3.5

REVISION DATE:

| ITEM NO. | PART NUMBER | MATERIAL | Roswell & Cobalt/QTY. |
|----------|---|-----------------------------|-----------------------|
| 1 | SUP-220606-G2-REV-G0-(MANUAL LOCK Female swivel piece 2) | 6061 T6 ALUMINUM - POLISHED | 1 |
| 2 | SUP-220606-G1-REV-G0-(0.75 MOON FOR MANUAL LOCKING PIN 2) | STAINLESS STEEL | 1 |
| 3 | 0.25 20 UNC x 0.625 | STAINLESS STEEL | 2 |



REVISION NOTES:

PROPRIETARY AND CONFIDENTIAL
 THE INFORMATION CONTAINED IN THIS DRAWING IS THE SOLE PROPERTY OF ROSWELL WAKE AIR. ANY REPRODUCTION IN PART OR AS A WHOLE WITHOUT THE WRITTEN PERMISSION OF ROSWELL WAKE AIR IS PROHIBITED.

DRAWN BY: G.CANT
 Process: SEE INDIVIDUAL PART DRAWING

MATERIAL: SEE INDIVIDUAL PART DRAWING
 FINISH: SEE INDIVIDUAL PART DRAWING
 DO NOT SCALE DRAWING

UNLESS OTHERWISE SPECIFIED:
 DIMENSIONS ARE IN INCHES
 TOLERANCES:
 DECIMAL: x. ± 0.06
 x.x ± 0.03
 x.xx ± 0.015
 x.xxx ± 0.005
 FRACTIONAL: xx x/x ± 1/16"
 x x/x ± 1/32"
 x/x ± 1/64"
 ANGULAR: ±0.5°

R O S W E L L . L .

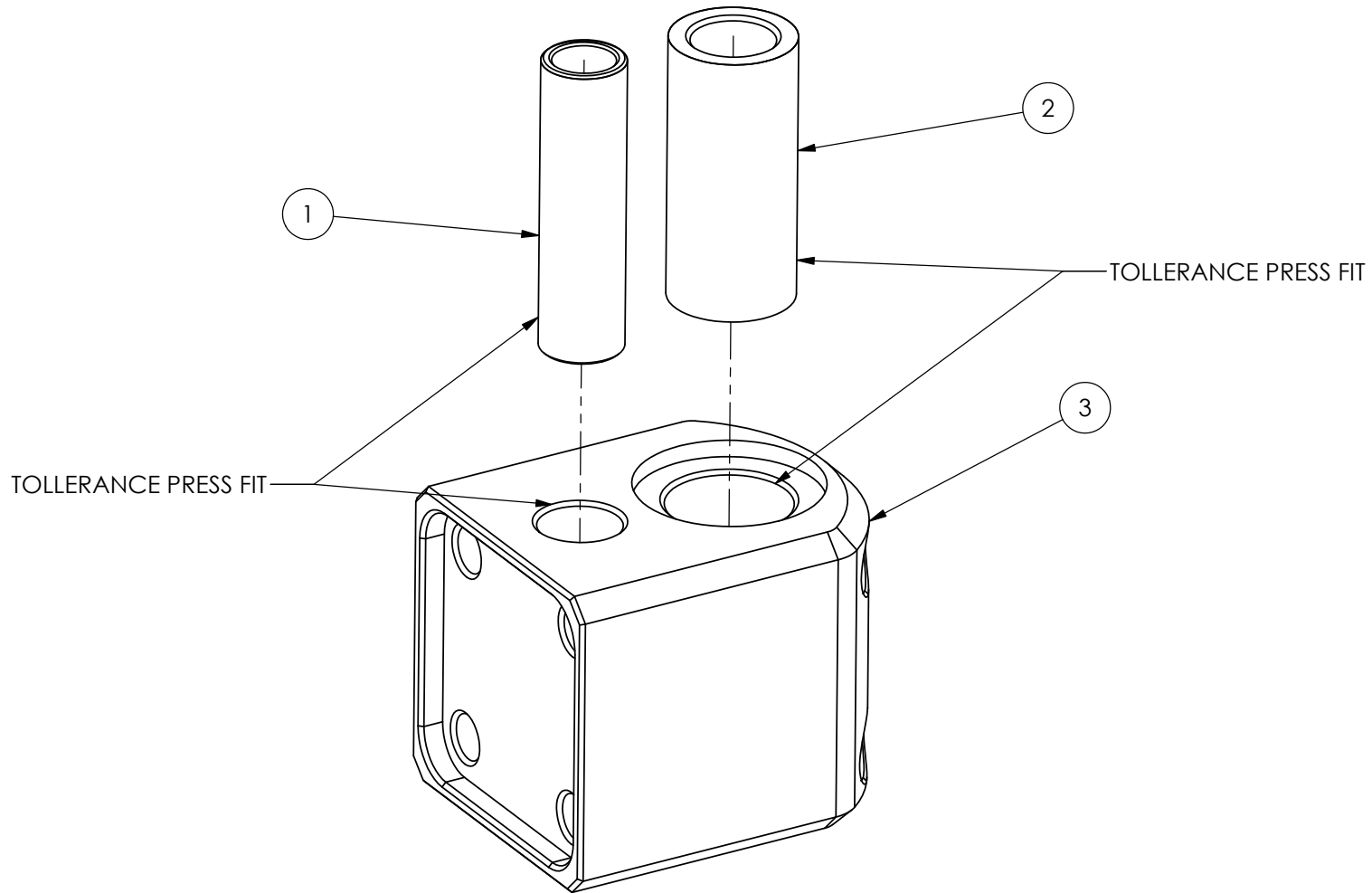
RWA-191006-G1-REV-G0-(MANUAL LOCK FEMALE SWIVEL ASSEMBLY 2 - RWA & COB)

BRAND-DATE-DESIGNER-REVISION-(Description)

SCALE: 1:1

REVISION DATE:

| ITEM NO. | PART NUMBER | MATERIAL | QTY. |
|----------|--|----------------------|------|
| 1 | SUP-220606-G5-REV-G0-(SLEEVE FOR MANUAL LOCK SWIVEL 2) | BRONZE | 1 |
| 2 | SUP-0020-REV-E1-(BRONZE BUSHING) | BRONZE | 1 |
| 3 | SUP-220606-G4-REV-G0-(MANUAL MALE SWIVEL PIECE 2) | 6000 SERIES ALUMINUM | 1 |



REVISION NOTES:

UNLESS OTHERWISE SPECIFIED:

R O S W E L L .

DIMENSIONS ARE IN INCHES
TOLERANCES:

DECIMAL: x. ± 0.06
 x.x ± 0.03
 x.xx ± 0.015
 x.xxx ± 0.005
 FRACTIONAL: xx x/x ± 1/16"
 x x/x ± 1/32"
 x/x ± 1/64"
 ANGULAR: ±0.5°

RWA-220606-G6-REV-G0-(MANUAL LOCK MALE SWIVEL ASSEMBLY 2)

BRAND-DATE-DESIGNER-REVISION-(Description)

SCALE: 1:1

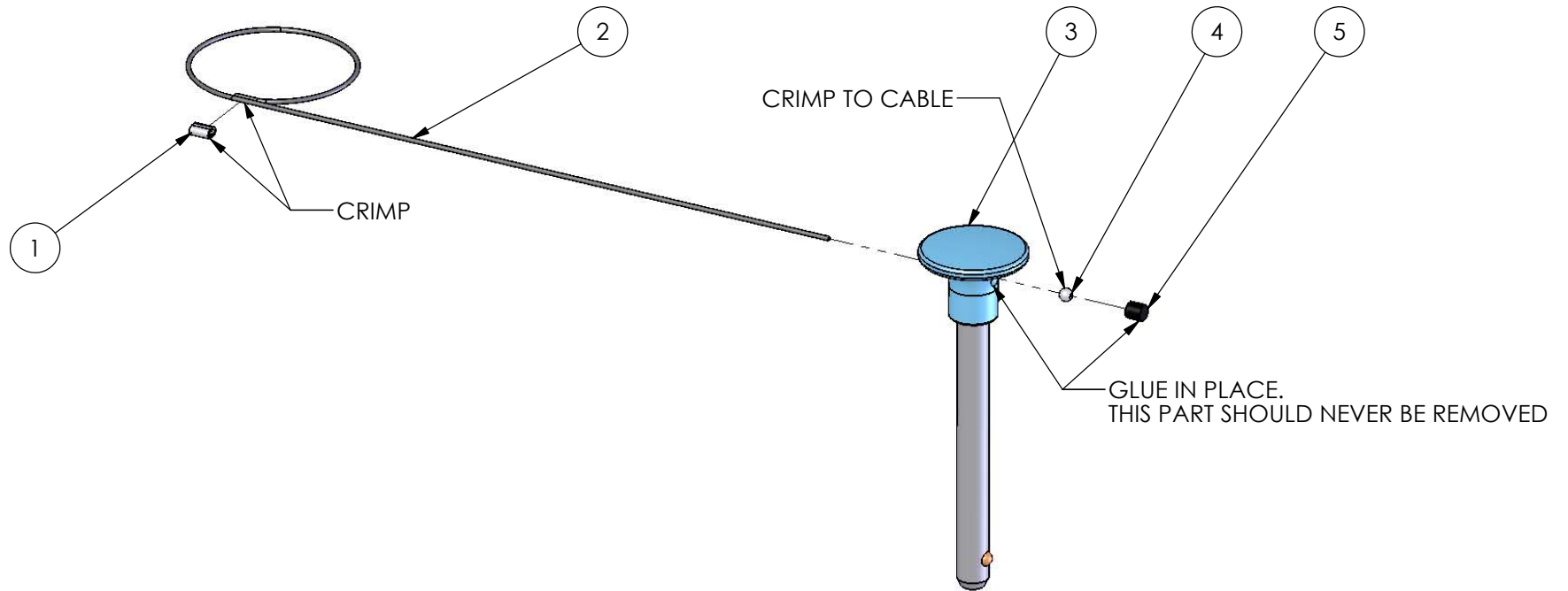
REVISION DATE:

PROPRIETARY AND CONFIDENTIAL
 THE INFORMATION CONTAINED IN THIS DRAWING IS THE SOLE PROPERTY OF ROSWELL WAKE AIR. ANY REPRODUCTION IN PART OR AS A WHOLE WITHOUT THE WRITTEN PERMISSION OF ROSWELL WAKE AIR IS PROHIBITED.

DRAWN BY: G.CANT
 Process: SEE INDIVIDUAL PART DRAWING

MATERIAL: SEE INDIVIDUAL PART DRAWING
 FINISH: SEE INDIVIDUAL PART DRAWING
 DO NOT SCALE DRAWING

| ITEM NO. | PART NUMBER | DESCRIPTION | With Cable 2/QTY. |
|----------|---|--------------------------------|-------------------|
| 1 | 0.060 Crimp | STOCK ITEM | 1 |
| 2 | SUP-210906-G2-REV-G0-(RWA MANUAL SWIVEL CABLE) | PLASTIC COATED STAINLESS STEEL | 1 |
| 3 | RWA-191006-G3-G0-(Over Molded Quick Release Pin) | SEE SUB ASSEMBLY | 1 |
| 4 | China - ball crimp | STOCK ITEM | 1 |
| 5 | RWA-220606-G9-REV-P1-(2006 MANUAL SWIVEL SYSTEM ASSEMBLY 2)china-06.08-Part-4 | PLASTIC - BLACK | 1 |



REVISION NOTES:

PROPRIETARY AND CONFIDENTIAL
THE INFORMATION CONTAINED IN THIS DRAWING IS THE SOLE PROPERTY OF ROSWELL WAKE AIR. ANY REPRODUCTION IN PART OR AS A WHOLE WITHOUT THE WRITTEN PERMISSION OF ROSWELL WAKE AIR IS PROHIBITED.

DRAWN BY: G.CANT
Process: SEE INDIVIDUAL PART DRAWING

MATERIAL: SEE INDIVIDUAL PART DRAWING
FINISH: SEE INDIVIDUAL PART DRAWING
DO NOT SCALE DRAWING

UNLESS OTHERWISE SPECIFIED:
DIMENSIONS ARE IN INCHES
TOLERANCES:
DECIMAL: x. ± 0.06
x.x ± 0.03
x.xx ± 0.015
x.xxx ± 0.005
FRACTIONAL: xx x/x ± 1/16"
x x/x ± 1/32"
x/x ± 1/64"
ANGULAR: ±0.5°

ROSWELL.

RWA-210906-G1-REV-G0-(Quick release pin assembly)

BRAND-DATE-DESIGNER-REVISION-(Description)

SCALE: 1:2

REVISION DATE:

5

4

3

2

1