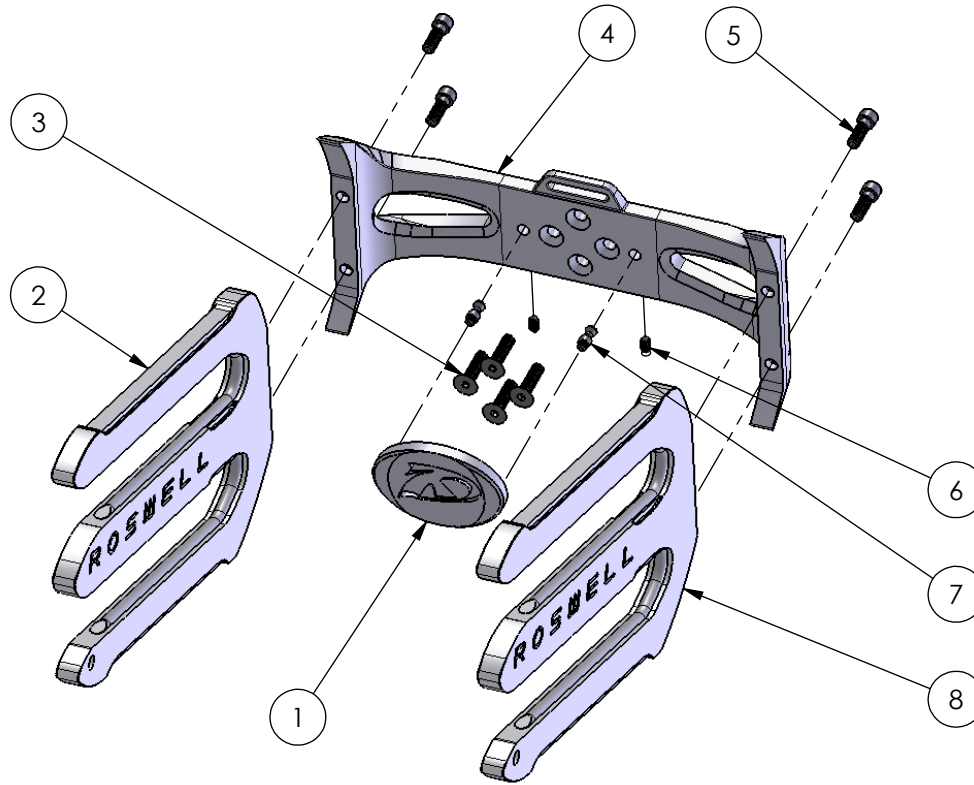


ITEM NO.	PART NUMBER	PROCESS	MATERIAL	FINISH	QTY.
1	RWA-160106-G1-REV-G1-(Roswell Medallion)	Die Cast	6061 Alloy	Chrome plated	1
2	RWA-120906-E1-REV-G9-(Right Tine)	See Sub Assembly	See Sub Assembly	See Sub Assembly	1
3	FLH-SCH-82_~250-20 UNC_1_SIMP	STOCK ITEM	Stainless Steel	RAW	4
4	RWA-100306-G2-REV-E2-(SI Team Backing Plate)	Die Cast/CNC Machined	6061 Alloy	Highly Polished	1
5	SCH_~250-20 UNC_0~75_SIMP	STOCK ITEM	Stainless Steel	RAW	4
6	SSCR-HEX-CP_~190-24 UNC_0~375_HELI	STOCK ITEM	Stainless Steel	RAW	2
7	COB-201205-G7-REV-G0-(Custom Locking Pin)	STOCK ITEM	Stainless Steel	RAW	2
8	RWA-120906-E1-REV-G8-(Left Tine)	See Sub Assembly	See Sub Assembly	See Sub Assembly	1



REVISION NOTES:

UNLESS OTHERWISE SPECIFIED:

DIMENSIONS ARE IN INCHES

TOLERANCES:

DECIMAL: x. ± 0.06

x.x ± 0.03

x.xx ± 0.015

x.xxx ± 0.005

FRACTIONAL: xx x/x ± 1/16"

x x/x ± 1/32"

x/x ± 1/64"

ANGULAR: ±0.5°



RWA-100206-G1-REV-E2-(SI Team Rack Assembly BOM)

BRAND-DATE-DESIGNER-REVISION-(Description)

SCALE: 1:4

REVISION DATE: Tuesday, December 11, 2007

PROPRIETARY AND CONFIDENTIAL
THE INFORMATION CONTAINED IN THIS DRAWING IS THE SOLE PROPERTY OF ROSWELL WAKE AIR. ANY REPRODUCTION IN PART OR AS A WHOLE WITHOUT THE WRITTEN PERMISSION OF ROSWELL WAKE AIR IS PROHIBITED.

DRAWN BY: egagnon

MATERIAL: SEE BOM TABLE

PROCESS: SEE BOM TABLE

FINISH: SEE BOM TABLE

DO NOT SCALE DRAWING