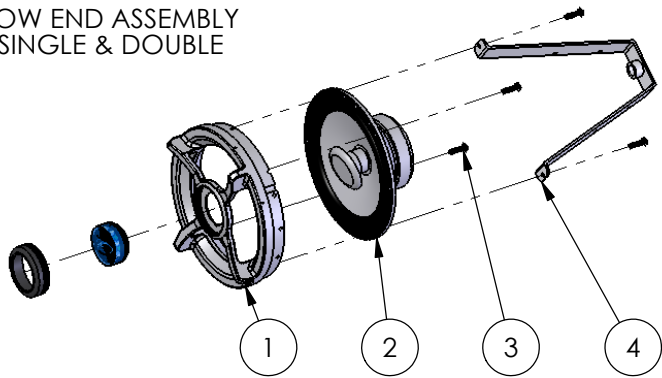
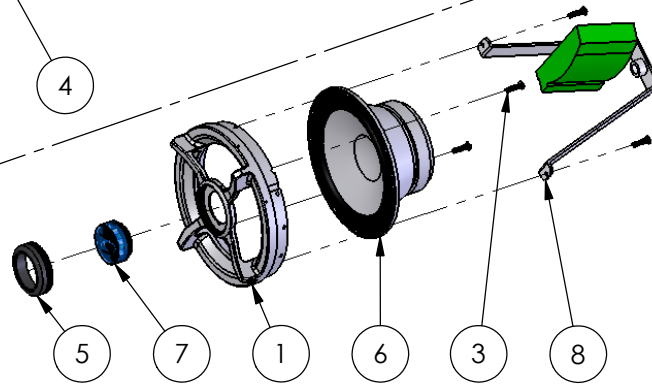


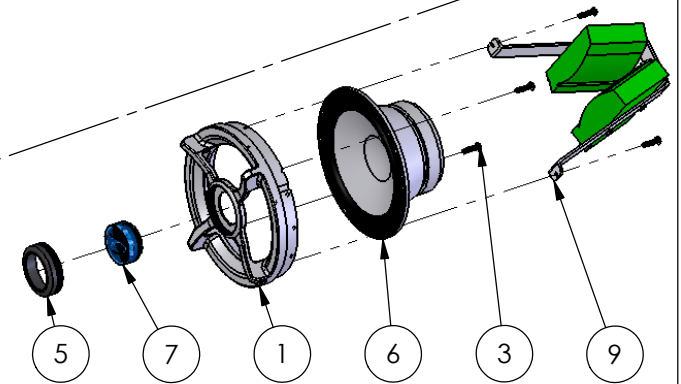
LOW END ASSEMBLY  
SINGLE & DOUBLE



HIGH END  
SINGLE ASSEMBLY



HIGH END  
DOUBLE ASSEMBLY



ITEM NO.	PART NUMBER	MATERIAL	LOW END/QTY.	HIGH END DOUBLE/QTY.	HIGH END SINGLE/QTY.
1	RWA-050905-E5-REV-E23-(Speaker Grill)	CHROME PLATED PLASTIC	1	1	1
2	PHOENIX GOLD OCTANE R COAXIAL 6.0 INCH mock up	STOCK ITEM	1	-	-
3	BTNHD_~190-24 UNC_0~75_SIMP	STAINLESS STEEL	4	4	4
4	RWA-130905-E3-REV-E2-(Larger Spine & Cross Over Assembly) LOW END	SEE SUB ASSEMBLY BOM	1	-	-
5	RWA-280705-E6-REV-E2-(Internal Tweeter & LED Housing)	PLASTIC	1	1	1
6	PHOENIX GOLD OCTANE R 6.0 INCH mock up	STOCK ITEM	-	1	1
7	RWA-061005-E1-REV-E0-(Speaker LED Assembly)	SEE SUB ASSEMBLY BOM	1	1	1
8	RWA-130905-E3-REV-E2-(Larger Spine & Cross Over Assembly) SINGLE HIGH END	SEE SUB ASSEMBLY BOM	-	-	1
9	RWA-130905-E3-REV-E2-(Larger Spine & Cross Over Assembly) DOUBLE HIGH END	SEE SUB ASSEMBLY BOM	-	1	-

REVISION NOTES: PREVIOUS DRAWING#-RWA-221105-E5-REV-E0-(Larger Grill Speaker Spine BOM) MID END PRICE POINT WAS REMOVED. NOW THERE IS ONLY HIGH END & LOW END PRICE POINTS. LOW END TWEETER HAS BEEN REPLACED BY LED ASSEMBLY. LOW END & HIGH END USE THE SAME GRILL.

UNLESS OTHERWISE SPECIFIED:

DIMENSIONS ARE IN INCHES  
TOLERANCES:

DECIMAL: x. ± 0.06  
 x.x ± 0.03  
 x.xx ± 0.015  
 x.xxx ± 0.005  
 FRACTIONAL: xx x/x ± 1/16"  
 x x/x ± 1/32"  
 x/x ± 1/64"  
 ANGULAR: ±0.5°

R O S W E L L .

RWA-221105-E5-REV-E1-(Larger Grill Speaker Spine BOM)

BRAND-DATE-DESIGNER-REVISION-(Description)

SCALE: 1:8

REVISION DATE: 15/12/05

**PROPRIETARY AND CONFIDENTIAL**  
 THE INFORMATION CONTAINED IN THIS DRAWING IS THE SOLE PROPERTY OF ROSWELL WAKE AIR. ANY REPRODUCTION IN PART OR AS A WHOLE WITHOUT THE WRITTEN PERMISSION OF ROSWELL WAKE AIR IS PROHIBITED.

DRAWN BY:  
ERIC GAGNON

Process:  
SEE INDIVIDUAL PART DRAWING

MATERIAL:  
SEE INDIVIDUAL PART DRAWING

FINISH:  
SEE INDIVIDUAL PART DRAWING

DO NOT SCALE DRAWING